

2-CHANNEL DIY MULTI-PURPOSE REMOTE CONTROL

RC-210 (1 transmitter)

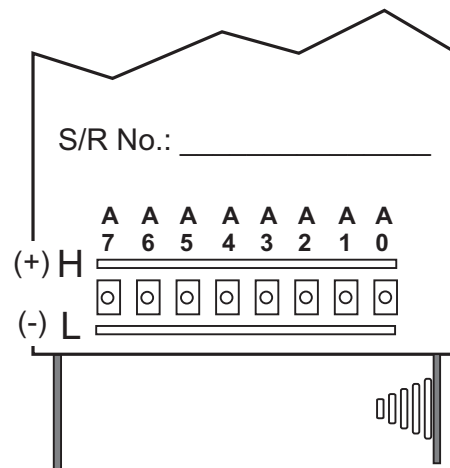
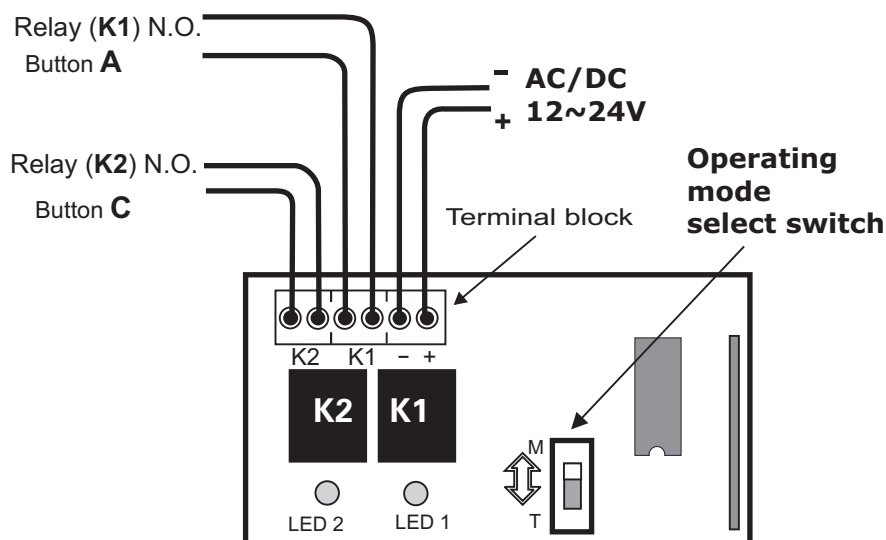
RC-220 (2 transmitters)

Model : **RC-230** (3 transmitters)

... for autogate & other applications

Features :

- 1) Can be set to operate in **momentary** mode (K1 & K2) or **bistable** mode by setting the slide switch (* see details below)
- 2) Long control range
- 3) AC/DC operation



(L = (-), H=(+), O= open or floating)

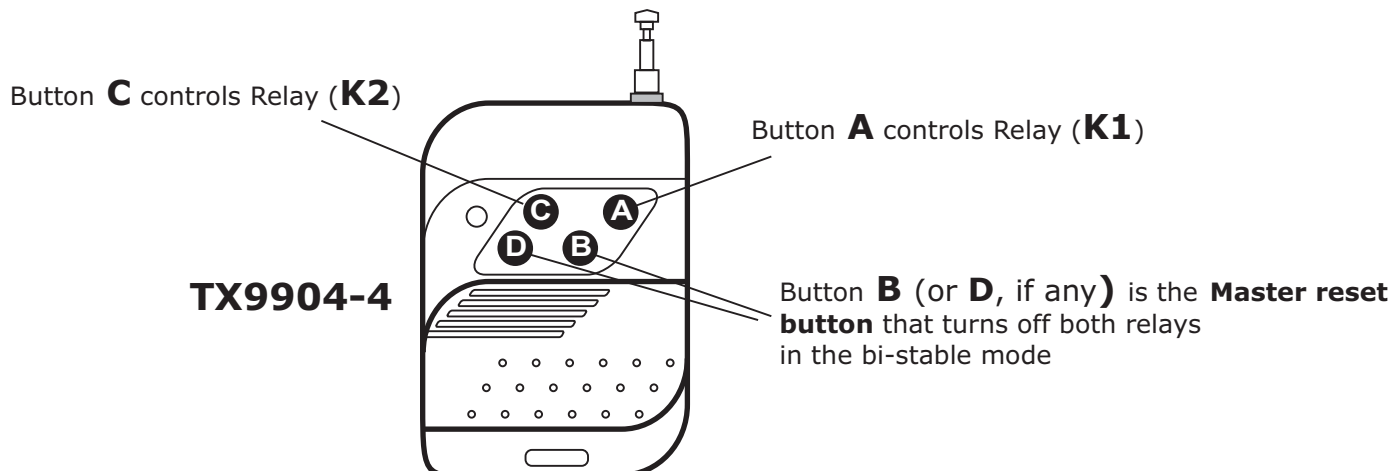
OPERATING MODES

Momentary (slide switch at position "M")

- Press button "A" : Relay **K1** will be ON momentarily (remains ON until button is released)
- Press button "C" : Relay **K2** will be ON momentarily (remains ON until button is released)
- Press button "B" : No effect
- Press button "D" : No effect

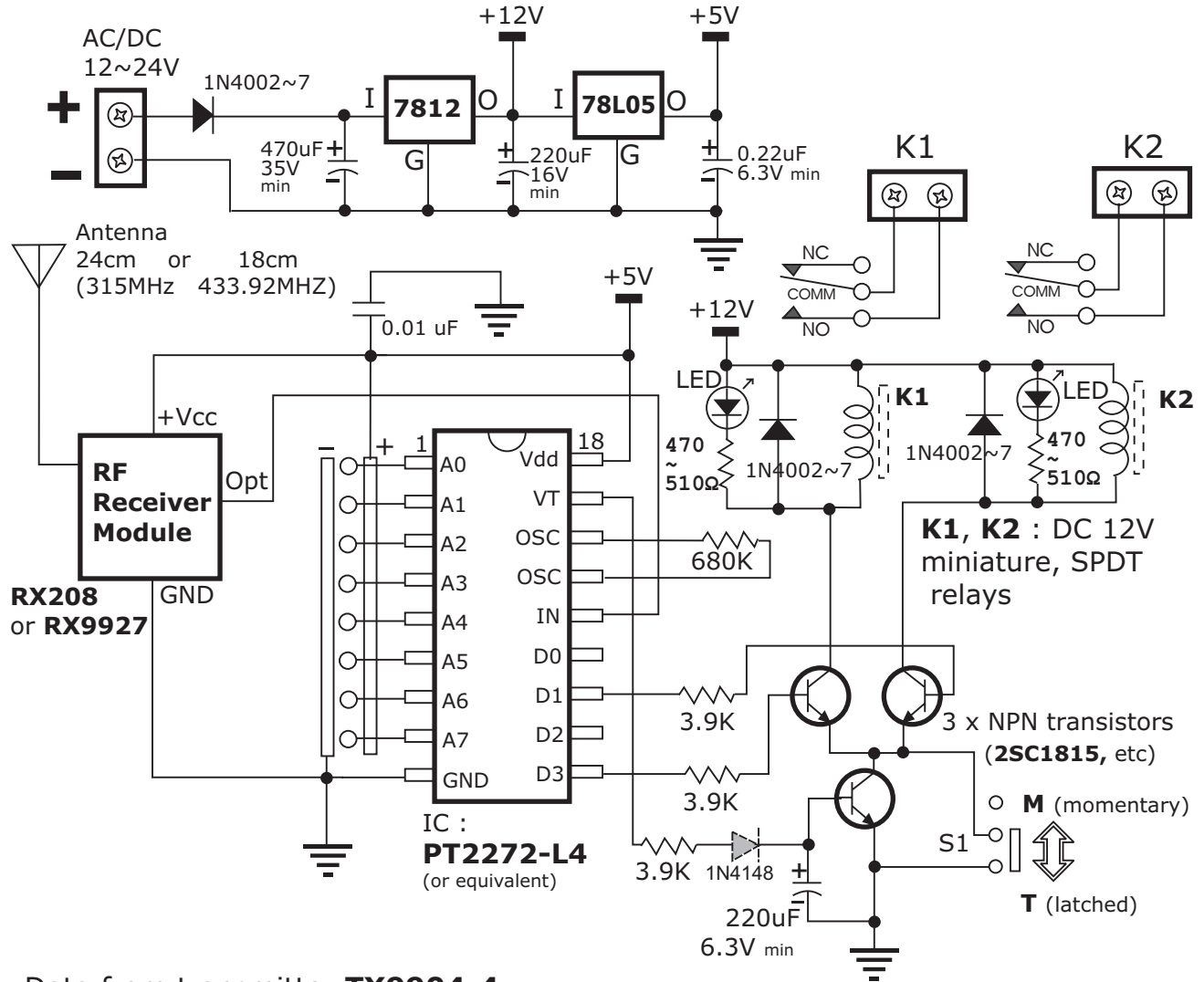
Bi-stable (slide switch at position "T")

- Press button "A" : Relay **K1** will be ON & latched (K2 off)
- Press button "C" : Relay **K2** will be ON & latched (K1 off)
- Press button "B" : This will turn OFF both relays
- Press button "D" : This will turn OFF both relays



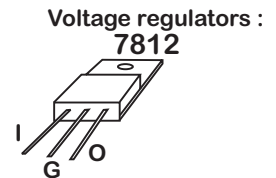
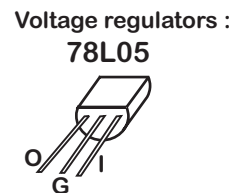
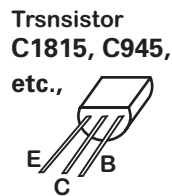
Schematic

Dual modes : **T** - latched & **M** - momentary
 Power supply : AC or DC 12 ~ 24V



Data from transmitter **TX9904-4**

| Button | Data bits * | | | | |
|----------|-------------|----|----|----|-------------|
| | Do | D1 | D2 | D3 | |
| A | 0 | 0 | 0 | 1 | (K1) |
| B | 0 | 0 | 1 | 0 | |
| C | 0 | 1 | 0 | 0 | (K2) |
| D | 1 | 0 | 0 | 0 | |



* when power is first applied to the circuit, the data bits will be reset to 0000 (both K1 & K2 are in the de-energized state)

* Component values in the actual products subject to change without prior notice