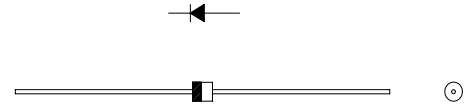


SBD Type :11EQS04

OUTLINE DRAWING

FEATURES

- * Miniature Size
- * Low Forward Voltage Drop
- * High Surge Capability
- * 30volts trough 100volts Types Available
- * 26mm and 52mm Inside Tape Spacing Package Available



Maximum Ratings

Approx Net Weight:0.17g

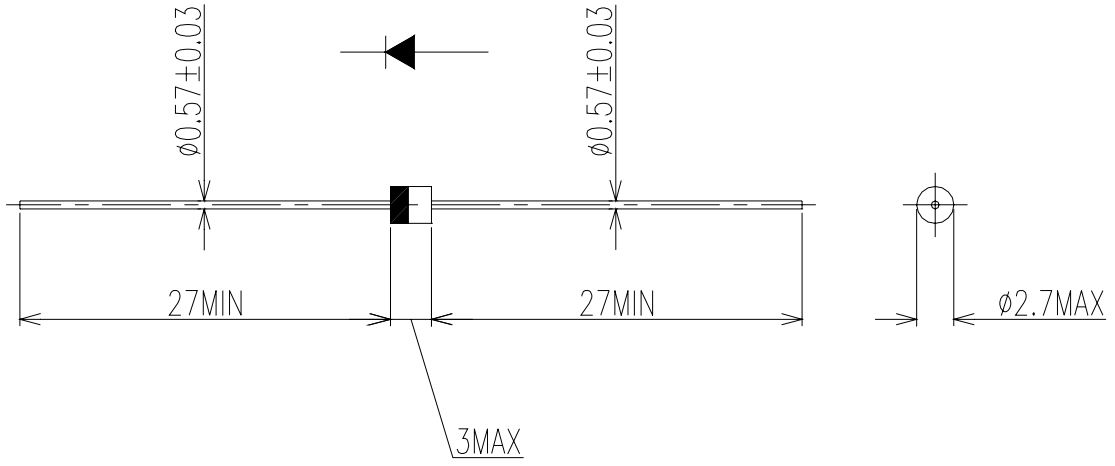
Rating		Symbol	11EQS04			Unit
Repetitive Peak Reverse Voltage		V_{RRM}	40			V
Non-repetitive Peak Reverse Voltage		V_{RSM}	45			V
Average Rectified Output Current	Without Fin or P.C.Board	I_O	1.0	$T_a=25^{\circ}C$	Half Sine Wave Resistive Load	A
	P.C.Board Mounted *		1.0	$T_a=48^{\circ}C$		
RMS Forward Current		$I_{F(RMS)}$	1.57			A
Surge Forward Current		I_{FSM}	40	Half Sine Wave,1cycle,Non-repetitive		A
Operating JunctionTemperature Range		T_{jw}	- 40 to + 150			$^{\circ}C$
Storage Temperature Range		T_{stg}	- 40 to + 150			$^{\circ}C$

Electrical • Thermal Characteristics

Characteristics	Symbol	Conditions	Min	Typ	Max	Unit
Peak Reverse Current	I_{RM}	$T_j= 25^{\circ}C, V_{RM}= V_{RRM}$	-	-	1	mA
Peak Forward Voltage	V_{FM}	$T_j= 25^{\circ}C, I_{FM}= 1 A$	-	-	0.55	V
Thermal Resistance(Junction to Ambient)	$R_{th(j-a)}$	Without Fin or P.C.Board	-	-	140	$^{\circ}C/W$
		P.C.Board mounted *	-	-	110	

* :Print Lands = 5x5 mm,Both Sides

11EQS04 OUTLINE DRAWING (Dimensions in mm)



This datasheet has been downloaded from:

www.DatasheetCatalog.com

Datasheets for electronic components.